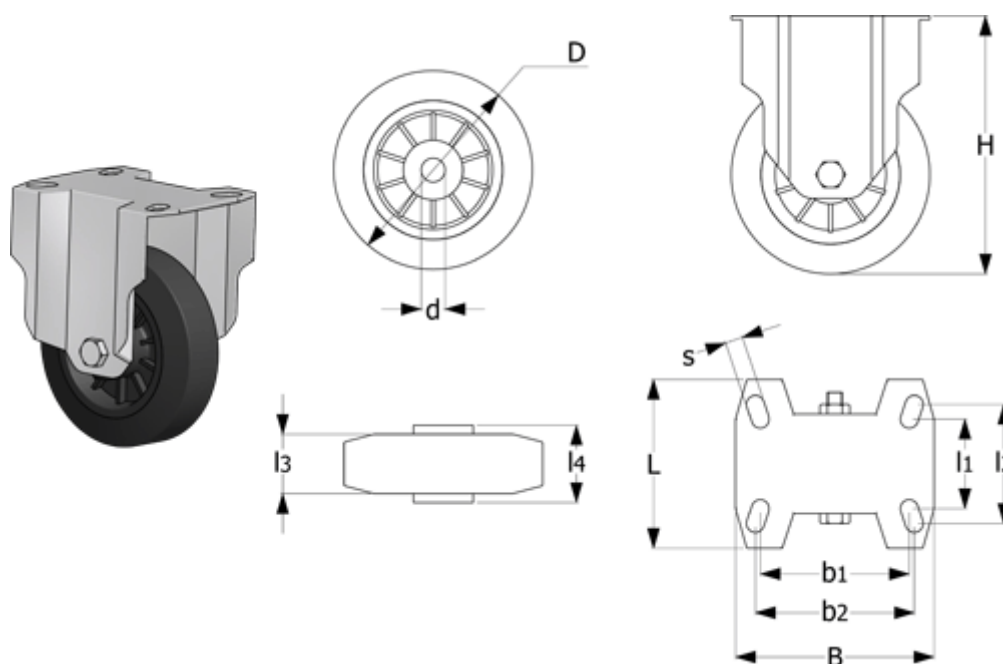


Article number: 2314449666

Description: E+G rubber wheel 449666  
RE.E2-150-PBL Fixed plate

## Measures



B	= 100	H	= 182
b1	= 75	L	= 85
b2	= 80	l1	= 45
Code	= 449666	l2	= 60
D	= 150	l3	= 40
d	= 15	l4	= 44
Dynamic load (N)	= 1300	Rolling resistance (N)	= 1000
g	= 930	s	= 9

Type = RE.E2-150-PBL